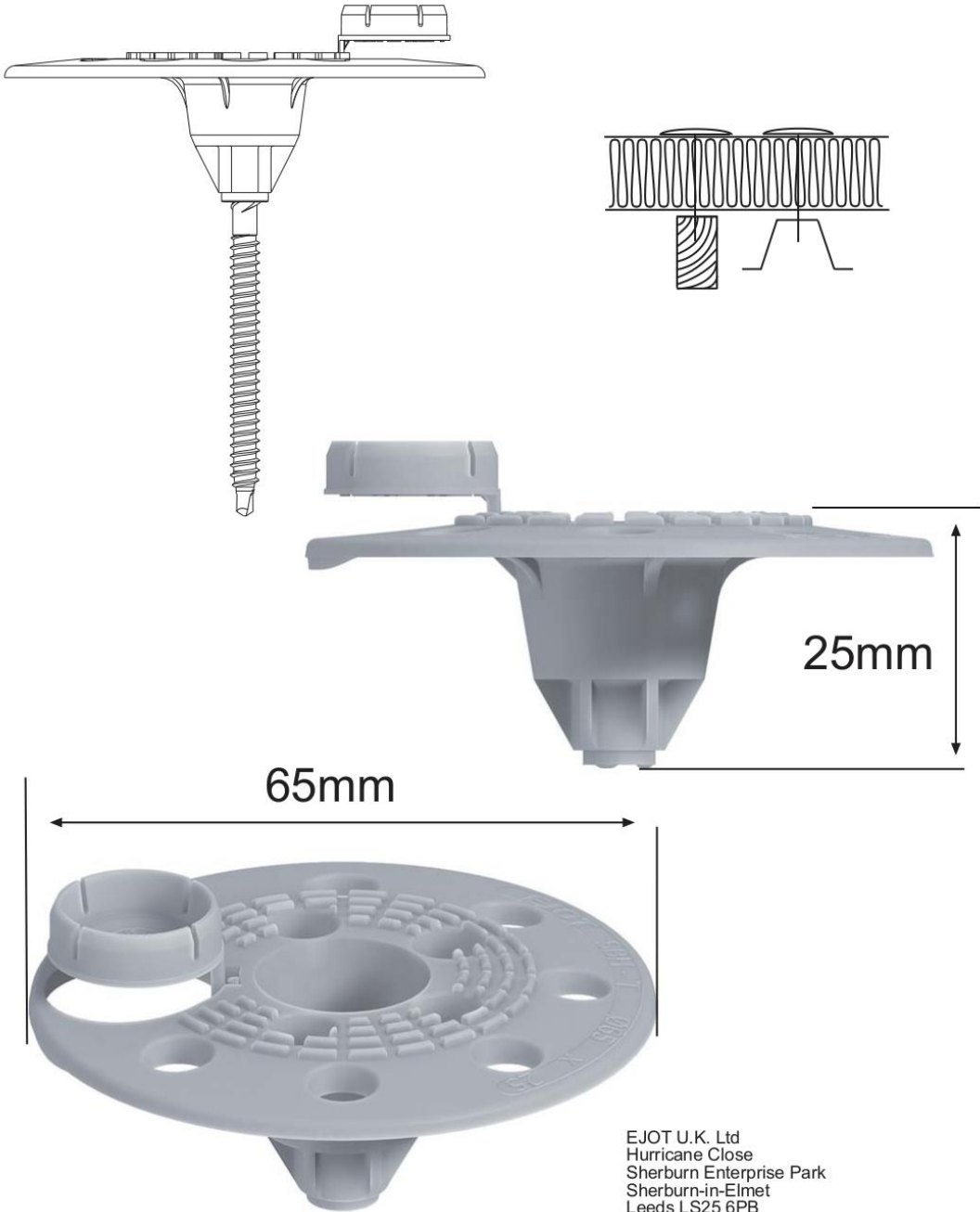


# EJOT SBH-T 65/25

Material - Polyethylene



EJOT U.K. Ltd  
Hurricane Close  
Sherburn Enterprise Park  
Sherburn-in-Elmet  
Leeds LS25 6PB

T +44 (0)19 77 68 70 40 W: [www.ejot.de](http://www.ejot.de)  
F +44 (0)19 77 68 70 41 E: [info@ejot.co.uk](mailto:info@ejot.co.uk)